

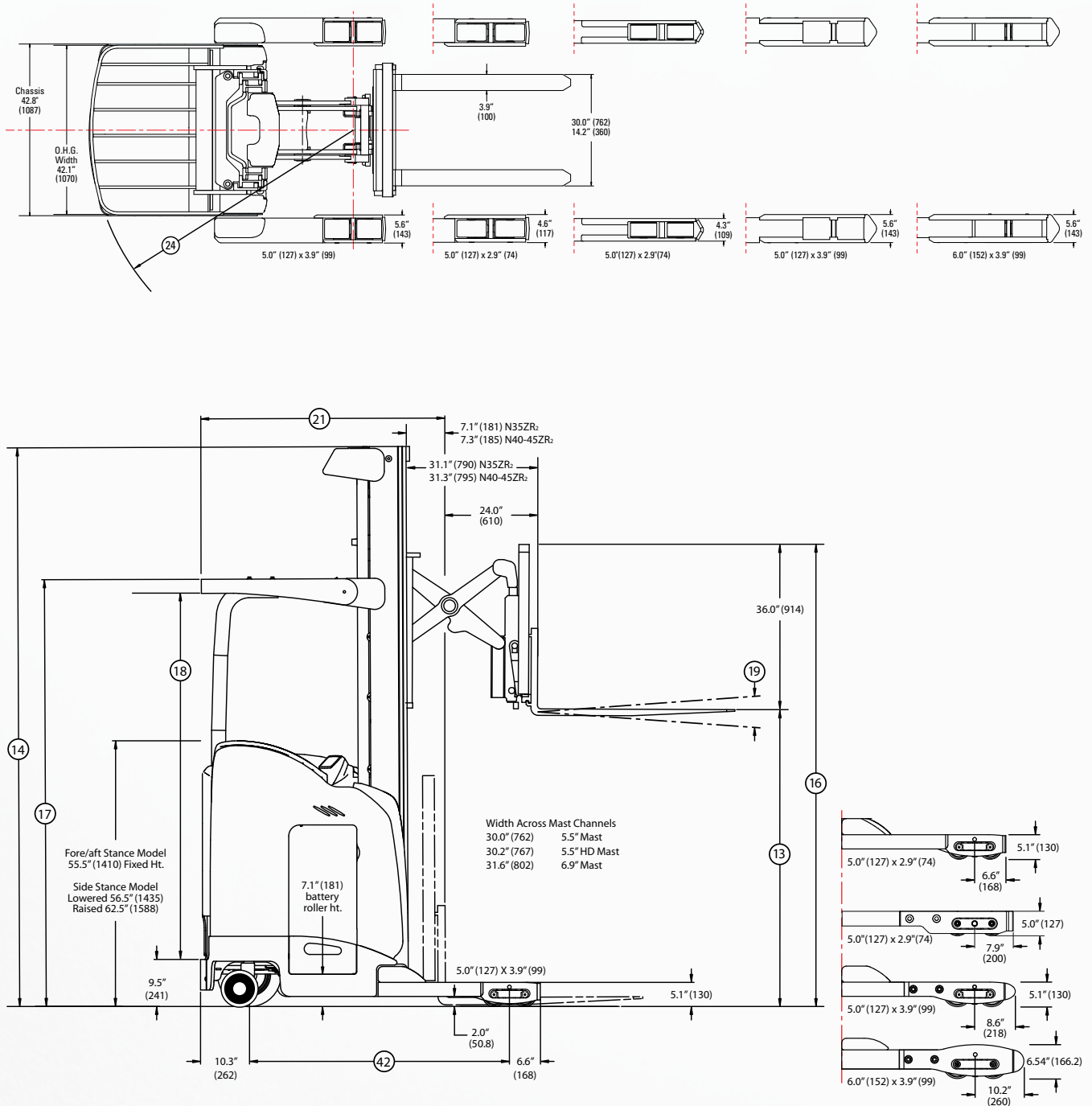


**STRONG PARTNERS.
TOUGH TRUCKS.™**

N30-45ZR₂/ZDR₂ SERIES TECHNICAL GUIDE

WWW.HYSTER.COM

➤ N35-45ZR₂ DIMENSIONS



Circled dimensions correspond to the line numbers on the tabulated chart inside the Technical Guide. Dimensions are in inches (millimeters).

N35-45ZR₂ SPECIFICATIONS

GENERAL	1	Manufacturer Name	Hyster Company		Hyster Company		Hyster Company									
	2	Model	N35ZR ₂		N40ZR ₂		N45ZR ₂									
	3	Wheel Base Designation			SWB											
	4	Rated Capacity	lb. (kg)	3500 (1588)		4000 (1814)		4500 (2041)								
	5	Load Center, Distance	in (mm)			24 (610)										
	6	Power Type - Electric, Diesel, LPG			Electric - 36 volt											
	7	Operator Type			Stand											
	8	Tire Type - Load/Caster/Drive			Poly / Poly / Poly		Poly / Poly / Vulk									
	9	Wheels, Number Load/Drive (x=driven)			4 / 2 (1x)											
WT.	10	Truck Weight, without Battery (approximate)	lb.	4950		5000		5400								
	11			Front	Rear	Front	Rear	Front	Rear							
DIMENSIONS	12	Axle Loading - Front/Rear with Assemble Retracted **	lb.	6750		3800		7400		3700		8400		3800		
	13	Height, Standard Lift (TOF)	in (mm)	See Mast Table												
	14	Height, Standard Mast Lowered (OALH)	in (mm)													
	15	Height, Freelift (TOF)	in (mm)													
	16	Height, Standard Mast Extended w/LBR	in (mm)													
	17	Height, Top of OHG	in (mm)													
	18	Height, Operator Clearance	in (mm)													
	19	Mast Tilt Angle, Forward/Back	degrees°	3 / 4												
	20	Forks, Standard (Length x Width x Thickness)	in.	1.6 x 3.9 x 42		1.8 x 3.9 x 42		1.8 x 3.9 x 42								
	21	Headlength to Face of Forks - All Battery Compartments ***	in (mm)	See Mast Table												
	22	Basearm OEC	in.	34" - 49" (1" increments)												
	23	Battery Compartment Size, 14.5" Battery Compartment - (LxWxH)	in.			39.0 x 14.5 x 31.5						N/A				
		Battery Compartment Size, 16.5" Battery Compartment - (LxWxH)	in.					39.0 x 16.5 x 31.5								
		Battery Compartment Size, 18.5" Battery Compartment - (LxWxH)	in.			N/A						39.0 x 18.5 x 31.5				
		Battery Compartment Size, 21.5" Battery Compartment - (LxWxH)	in.			N/A						39.0 x 21.5 x 31.5				
24	Turning Radius - minimum outside, 14.5" Battery Compartment	in.			65.74						N/A					
	Turning Radius - minimum outside, 16.5" Battery Compartment	in.			67.74						67.90					
	Turning Radius - minimum outside, 18.5" Battery Compartment	in.			N/A						69.90					
	Turning Radius - minimum outside, 21.5" Battery Compartment	in.			N/A						72.90					
25	Aisle Width - Zero Clearance - Right Angle Stack	see chart	See "RAS" Table													
PERFORMANCE	26	Stability - Comply with ANSI	Yes													
	27	Travel Speed			Standard	Optional	Standard	Optional	Standard	Optional	Standard	Optional				
	28	Rearward (chassis first) - Empty/RL	mph	7.4/6.5		N/A		7.4/6.5		N/A		7.4/6.5 †		8.0/6.5 †		
	29	Forward (forks first) - Empty/RL	mph	7.4/6.5		N/A		7.4/6.0		N/A		7.4/5.8 †		8.0/5.8 †		
	30	Lift Speed			Standard	Optional	Standard	Optional	Standard	Optional	Standard	Optional				
	31	Empty	ft./min	100		N/A		100		114		114		130		
	32	2,000 lb.	ft./min	75		N/A		75		86		86		98		
	33	3,000 lb.	ft./min	69		N/A		69		78		78		90		
	34	3,500 lb.	ft./min	64		N/A		64		72		72		84		
	35	4,000 lb.	ft./min	N/A		N/A		60		68		68		78		
36	4,500 lb.	ft./min	N/A		N/A		N/A		N/A		65		74			
37	Lowering Speeds, Empty	ft./min	95				95				105					
38	Lowering Speeds, RL	ft./min	95				95				105					
WHEELS & TIRES	39	Size - Front Load Wheels, Standard			5 x 3.9		5 x 3.9		5 x 3.9		5 x 3.9					
	40				Drive	Caster	Drive	Caster	Drive	Caster	Drive	Caster				
	41	Size, Standard - Drive Tire/Dual Casters			12.0 x 5.5		7.9 x 2.2		12.0 x 5.5		7.9 x 2.2		13.5 x 5.5		7.9 x 2.2	
	42	Wheelbase - 14.5" Battery Compartment	in.			55.35						N/A				
		Wheelbase - 16.5" Battery Compartment	in.					57.36								
		Wheelbase - 18.5" Battery Compartment	in.			N/A						59.37				
		Wheelbase - 21.5" Battery Compartment	in.			N/A						62.36				
43	Brakes, Method of Control - Service/Parking			Foot												
44	Brakes, Method of Operation - Service/Parking			Spring Apply / Electric Release												
ELECTRIC	45	Battery Type			Lead Acid											
	46	Traction Motor Rating (60 minute rating)	hp (kw)			7.5 (5.6)				7.5 (5.6)		8.7 (6.5)				
	47	Hoist Motor Rating (5 minute rating)	hp (kw)	14.8 (11.0)		14.8 (11.0)		18.0 (13.4)		18.0 (13.4)		20.7 (15.4)				
	48	Traction Motor Control Method			Transistor											
	49	Hoist Motor Control Method			Transistor											
	50	Number of Speeds			Infinitely Variable											

** Static with Rated Load and Max. Wt. Battery

*** Add 1" for Sideshift

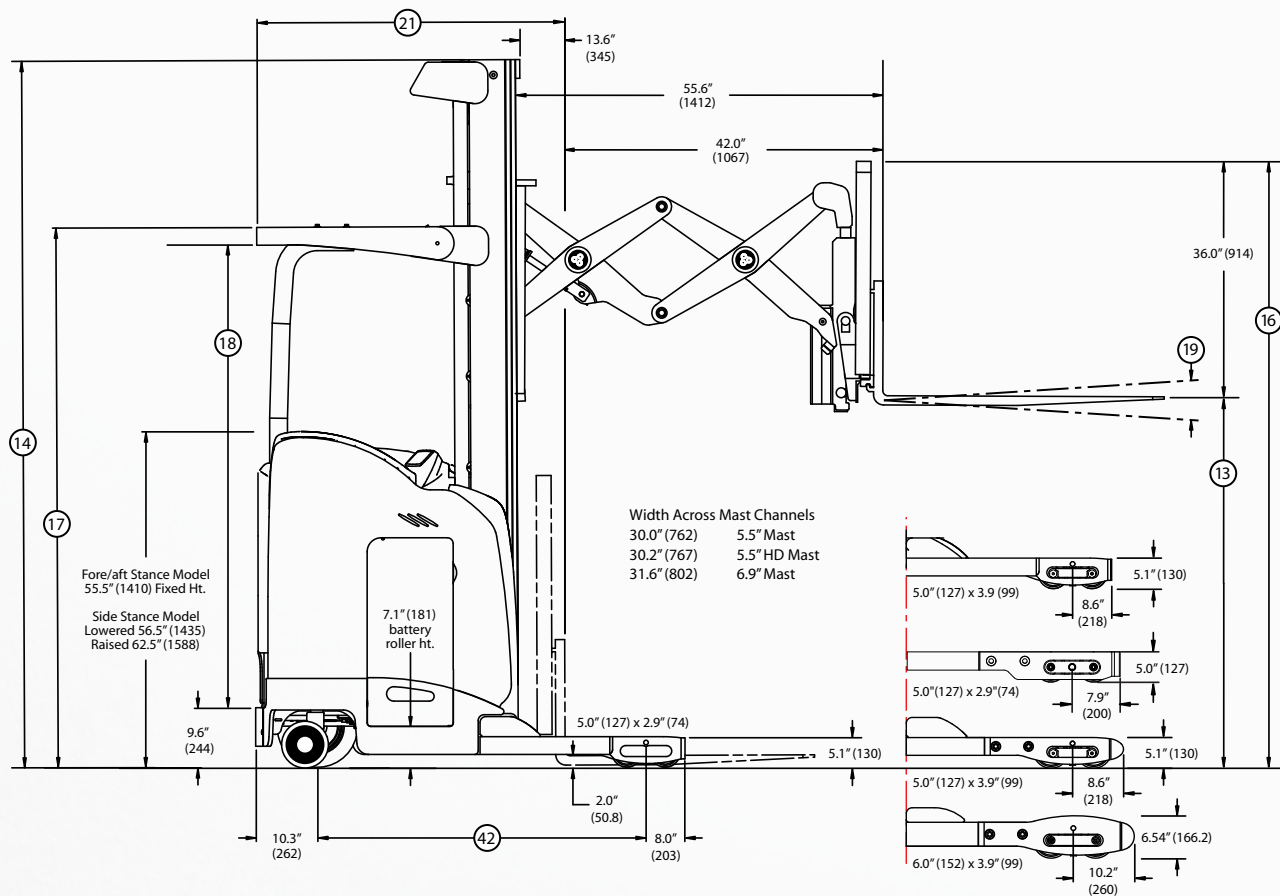
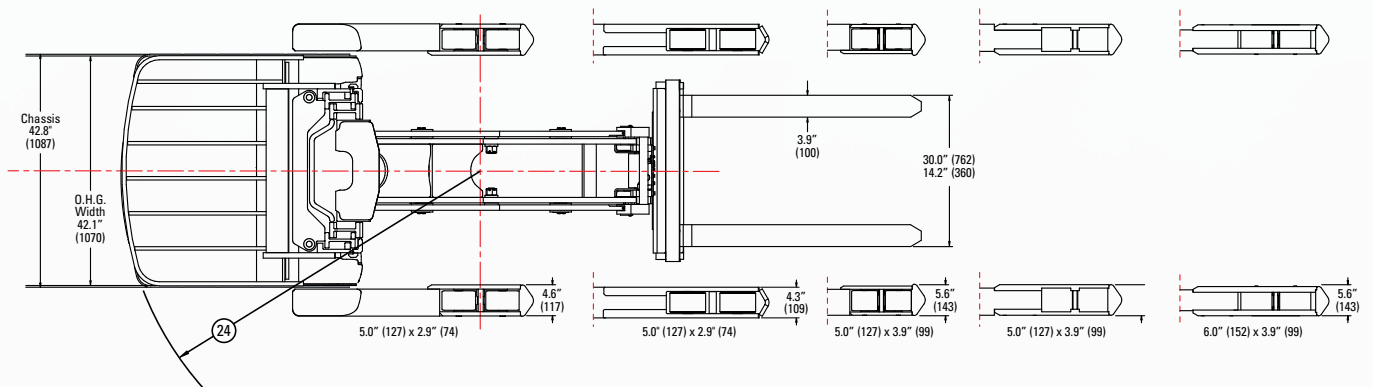
† Travel Speed will be reduced to 6.8 / 5.8 (Empty / Rated Load) with MFHs above 341" in the Rearward and Forward direction. 8.0 mph travel speed is limited to Load up to 2500 lbs.

SWB = Short Wheel Base; LWB = Long Wheel Base

CERTIFICATION: Hyster lift trucks meet the design and construction requirements of B56.1-1969, per OSHA Section 1910.178(a)(2), and also comply with the B56.1 revision in effect at time of manufacture. Certification of compliance with the applicable ANSI standards appears on the lift truck.

† NOTE: Performance specifications / ratings are for truck equipped as described under Standard Equipment in this Technical Guide. Performance specifications are affected by the condition of the vehicle and how it is equipped, as well as by the nature and condition of the operating area. Specifications are subject to change and the proposed application should be discussed with your authorized Hyster Company Dealer.

➤ N30-35ZDR₂ DIMENSIONS



Circled dimensions correspond to the line numbers on the tabulated chart inside the Technical Guide. Dimensions are in inches (millimeters).

N30-35ZDR₂ SPECIFICATIONS

		Hyster Company		Hyster Company				
GENERAL	1	Manufacturer Name	Hyster Company		Hyster Company			
	2	Model	N30ZDR ₂		N35ZDR ₂			
	3	Wheel Base Designation*	LWB	SWB	LWB	SWB		
	4	Rated Capacity	3000 (1361)		3500 (1588)			
	5	Load Center, Distance	in (mm)		24 (610)			
	6	Power Type - Electric, Diesel, LPG	Electric - 36 volt					
	7	Operator Type	Stand					
	8	Tire Type - Load/Caster/Drive	Poly / Poly / Vulk		Poly / Poly / Vulk			
	9	Wheels, Number Load/Drive (x=driven)	4 / 2 (1x)					
WT.	10	Truck Weight, without Battery (approximate)	lb.	5250	N/A	5250	N/A	
	11			Front	Rear	Front	Rear	
	12	Axle Loading - Front/Rear with Assemble Retracted **	lb.	6300	4050	6700	4250	
DIMENSIONS	13	Height, Standard Lift (TOF)	in (mm)	See Mast Table				
	14	Height, Standard Mast Lowered (OALH)	in (mm)					
	15	Height, Freelift (TOF)	in (mm)					
	16	Height, Standard Mast Extended w/LBR	in (mm)					
	17	Height, Top of OHG	in (mm)					
	18	Height, Operator Clearance	in (mm)					
	19	Mast Tilt Angle, Forward/Back	degrees	3 / 4				
	20	Forks, Standard (Length x Width x Thickness)	in.	1.6 x 3.9 x 42		1.6 x 3.9 x 42		
	21	Headlength to Face of Forks - All Battery Compartments ***	in (mm)	See Mast Table				
	22	Basearm OEC	in.	34" - 49" (1" increments)				
	23	Battery Compartment Size, 14.5" Battery Compartment - (LxWxH)	in.	39.0 x 14.5 x 31.5		N/A		
		Battery Compartment Size, 16.5" Battery Compartment - (LxWxH)	in.	39.0 x 16.5 x 31.5				
		Battery Compartment Size, 18.5" Battery Compartment - (LxWxH)	in.	N/A		39.0 x 18.5 x 31.5		
		Battery Compartment Size, 21.5" Battery Compartment - (LxWxH)	in.	N/A		39.0 x 21.5 x 31.5		
	24	Turning Radius - minimum outside, 14.5" Battery Compartment	in.	70.74	N/A		72.90	67.90
		Turning Radius - minimum outside, 16.5" Battery Compartment	in.	72.74	N/A		74.90	69.90
	Turning Radius - minimum outside, 18.5" Battery Compartment	in.	N/A		77.90	72.90		
	Turning Radius - minimum outside, 21.5" Battery Compartment	in.	N/A		77.90	72.90		
25	Aisle Width - Zero Clearance - Right Angle Stack	see chart	See "RAS" Table					
PERFORMANCE	26	Stability - Comply with ANSI	Yes					
	27	Travel Speed	Standard		Optional			
	28	Rearward (chassis first) - Empty/RL	mph	7.4/6.8 †	N/A	7.4/6.8 †	8.0/6.8 †	
	29	Forward (forks first) - Empty/RL	mph	7.4/6.8 †	N/A	7.4/6.5 †	8.0/6.5 †	
	30	Lift Speed	Standard		Optional			
	31	Empty	ft./min	100	114	114	130	
	32	2,000 lb.	ft./min	71	82	82	93	
	33	3,000 lb.	ft./min	65	73		85	
	34	3,500 lb.	ft./min	N/A		70	N/A	
	35	4,000 lb.	ft./min	N/A				
	36	4,500 lb.	ft./min	N/A				
	37	Lowering Speeds, Empty	ft./min	95		105		
38	Lowering Speeds, RL	ft./min	95		105			
WHEELS & TIRES	39	Size - Front Load Wheels, Standard	5 x 2.9					
	40		Drive	Caster	Drive	Caster		
	41	Size, Standard - Drive Tire/Dual Casters	12.0 x 5.5	7.9 x 2.2	13.5 x 5.5	7.9 x 2.2		
	42	Wheelbase - 14.5" Battery Compartment	in.	60.35	N/A			
		Wheelbase - 16.5" Battery Compartment	in.	62.36	N/A	62.36	57.36	
		Wheelbase - 18.5" Battery Compartment	in.	N/A		64.37	59.37	
		Wheelbase - 21.5" Battery Compartment	in.	N/A		67.36	62.36	
43	Brakes, Method of Control - Service/Parking	Foot						
44	Brakes, Method of Operation - Service/Parking	Apply / Electric Release						
45	Battery Type	Lead Acid						
ELECTRIC	46	Traction Motor Rating (60 minute rating)	hp (kw)	7.5 (5.6)		8.7 (6.5)		
	47	Hoist Motor Rating (5 minute rating)	hp (kw)	14.8 (11.0)	18.0 (13.4)	18.0 (13.4)	20.7 (15.4)	
	48	Traction Motor Control Method	Transistor					
	49	Hoist Motor Control Method	Transistor					
	50	Number of Speeds	Infinitely Variable					

* Short or Long Wheelbase is determined by Mast Height
 ** Static with Rated Load and Max. Wt. Battery

† Travel Speed will be reduced to 6.8 / 5.8 (Empty / Rated Load) with MFHs above 341" in the Rearward and Forward direction.
 8.0 mph travel speed is limited to Load up to 2500 lbs.
 SWB = Short Wheel Base; LWB = Long Wheel Base

CERTIFICATION: Hyster lift trucks meet the design and construction requirements of B56.1-1969, per OSHA Section 1910.178(a)(2), and also comply with the B56.1 revision in effect at time of manufacture. Certification of compliance with the applicable ANSI standards appears on the lift truck.

† NOTE: Performance specifications / ratings are for truck equipped as described under Standard Equipment in this Technical Guide. Performance specifications are affected by the condition of the vehicle and how it is equipped, as well as by the nature and condition of the operating area. Specifications are subject to change and the proposed application should be discussed with your authorized Hyster Company Dealer.

MAST DIMENSIONS

N35-40ZR ₂ /N30ZDR ₂ MAST DIMENSIONS (5.5" STANDARD DUTY)									
Max. Fork Height (TOF)	Overall Lowered Ht.	Overall Height (Mast Extended) Highest Point w/36" LBR	Free-Lift (TOF)	Overhead Guard Height to Top	Operator Clearance	Head Length (Length to Face of Forks)			
						14.5" B.C.		16.5" B.C.	
in (mm)	in (mm)	in (mm)	in (mm)	in (mm)	in (mm)	Single Reach	Double Reach	Single Reach	Double Reach
3-STAGE FULL FREE-LIFT (FFL) VISTA™ MAST									
191 (4851)	87 (2210)	230 (5842)	48 (1219)	86.5 (2197)	75.3 (1913)	52.12	58.02	54.12	60.02
203 (5156)	91 (2311)	242 (6147)	52 (1321)	90.5 (2299)	79.3 (2014)	52.12	58.02	54.12	60.02
212 (5385)	95 (2413)	251 (6375)	56 (1422)	94.5 (2400)	83.3 (2116)	52.12	58.02	54.12	60.02
227 (5766)	101 (2565)	266 (6756)	62 (1575)	91 (2311)	79.8 (2027)	52.12	58.02	54.12	60.02
242 (6147)	107 (2718)	281 (7137)	68 (1727)	91 (2311)	79.8 (2027)	52.12	58.02	54.12	60.02
251 (6375)	110 (2794)	290 (7366)	71 (1803)	91 (2311)	79.8 (2027)	52.12	58.02	54.12	60.02
272 (6909)	119 (3023)	311 (7899)	80 (2032)	91 (2311)	79.8 (2027)	52.12	58.02	54.12	60.02

N45ZR ₂ /N35ZDR ₂ MAST DIMENSIONS (5.5" HEAVY DUTY)											
Max. Fork Height (TOF)	Overall Lowered Ht.	Overall Height (Mast Extended) Highest Point w/36" LBR	Free-Lift (TOF)	Overhead Guard Height to Top	Operator Clearance	Head Length (Length to Face of Forks)					
						16.5" B.C.		18.5" B.C.		21.5" B.C.	
in (mm)	in (mm)	in (mm)	in (mm)	in (mm)	in (mm)	Single Reach	Double Reach	Single Reach	Double Reach	Single Reach	Double Reach
3-STAGE FULL FREE-LIFT (FFL) VISTA™ MAST											
212 (5385)	95 (2413)	251 (6375)	56 (1422)	94.5 (2400)	83.3 (2116)	57.47	63.38	59.47	65.38	62.47	68.38
224 (5690)	101 (2565)	263 (6680)	62 (1575)	91 (2311)	79.8 (2027)	57.47	63.38	59.47	65.38	62.47	68.38
239 (6071)	107 (2718)	278 (7061)	68 (1727)	91 (2311)	79.8 (2027)	57.47	63.38	59.47	65.38	62.47	68.38
245 (6223)	110 (2794)	284 (7214)	71 (1803)	91 (2311)	79.8 (2027)	57.47	63.38	59.47	65.38	62.47	68.38
266 (6756)	119 (3023)	305 (7747)	80 (2032)	91 (2311)	79.8 (2027)	57.47	63.38	59.47	65.38	62.47	68.38
278 (7061)	125 (3175)	317 (8052)	86 (2184)	91 (2311)	79.8 (2027)	57.47	63.38	59.47	65.38	62.47	68.38
293 (7442)	131 (3327)	332 (8433)	92 (2337)	91 (2311)	79.8 (2027)	57.47	63.38	59.47	65.38	62.47	68.38

N45ZR ₂ /N35ZDR ₂ MAST DIMENSIONS (6.9")											
Max. Fork Height (TOF)	Overall Lowered Ht.	Overall Height (Mast Extended) Highest Point w/36" LBR	Free-Lift (TOF)	Overhead Guard Height to Top	Operator Clearance	Head Length (Length to Face of Forks)					
						16.5" B.C.		18.5" B.C.		21.5" B.C.	
in (mm)	in (mm)	in (mm)	in (mm)	in (mm)	in (mm)	Single Reach	Double Reach	Single Reach	Double Reach	Single Reach	Double Reach
3-STAGE FULL FREE-LIFT (FFL) VISTA™ MAST											
272 (6909)	119 (3023)	311 (7899)	80 (2032)	91 (2311)	79.8 (2027)	57.59	63.50	59.60	65.50	62.59	68.50
287 (7290)	125 (3175)	326 (8280)	86 (2184)	91 (2311)	79.8 (2027)	57.59	63.50	59.60	65.50	62.59	68.50
302 (7671)	131 (3327)	341 (8661)	92 (2337)	91 (2311)	79.8 (2027)	57.59	63.50	59.60	65.50	62.59	68.50
320 (8128)	138 (3505)	359 (9119)	99 (2515)	91 (2311)	79.8 (2027)	57.59	63.50	59.60	65.50	62.59	68.50
332 (8433)	143 (3632)	371 (9423)	104 (2642)	91 (2311)	79.8 (2027)	57.59	63.50	59.60	65.50	62.59	68.50
341 (8661)	146 (3708)	380 (9652)	107 (2718)	91 (2311)	79.8 (2027)	57.59	63.50	59.60	65.50	62.59	68.50
368 (9347)	157 (3988)	407 (10338)	118 (2997)	91 (2311)	79.8 (2027)	57.59	63.50	59.60	65.50	62.59	68.50
401 (10185)	170 (4318)	440 (11176)	131 (3327)	91 (2311)	79.8 (2027)	57.59	63.50	59.60	65.50	62.59	68.50
422 (10719)	179 (4547)	461 (11709)	140 (3556)	91 (2311)	79.8 (2027)	57.59	63.50	59.60	65.50	62.59	68.50

RIGHT ANGLE STACKING / BATTERY SPECIFICATIONS

RIGHT ANGLE AISLE STACKING

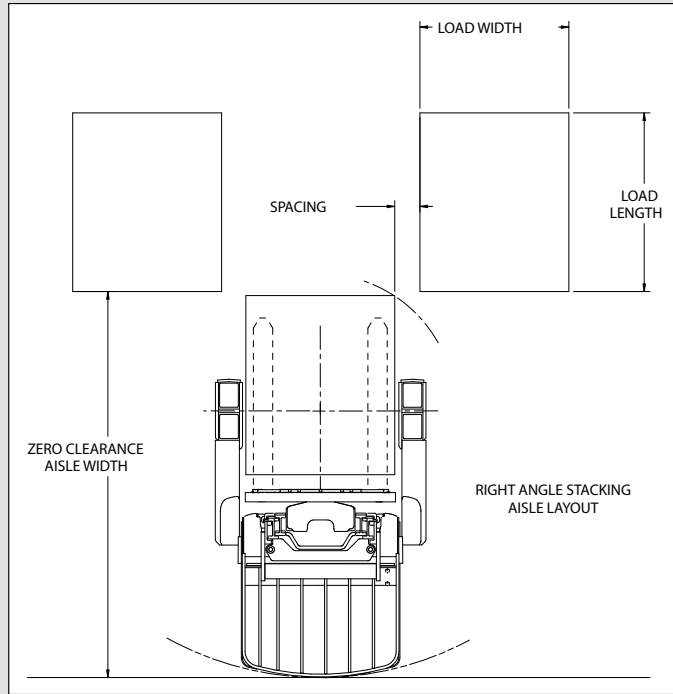
Note: These are "Zero Clearance" aisles and require an additional 6" or more to be added to provide for easier maneuvering.

N35/40ZR₂					
Truck with 14.5" Battery Compartment and 42" ID					
3 Stage - 4" Between Loads					
Pallet Length (inches)	Pallet Width (inches)				
		36	40	44	48
	36	85	85	85	85
	40	87	87	86	86
	44	92	91	91	90
48	96	96	95	95	

Add 2" for 16.5" Battery Compartment
Add 1" for Sideshift

N45ZR₂					
Truck with 16.5" Battery Compartment and 42" ID					
3 Stage - 4" Between Loads					
Pallet Length (inches)	Pallet Width (inches)				
		36	40	44	48
	36	88	88	87	87
	40	93	92	92	91
	44	97	97	96	96
48	102	101	101	100	

Add 2" for 18.5" Battery Compartment
Add 5" for 21.5" Battery Compartment
Add 1" for Sideshift



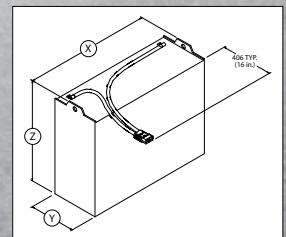
N30ZDR₂					
Truck with 14.5" Battery Compartment and 42" ID					
3 Stage - 4" Between Loads					
Pallet Length (inches)	Pallet Width (inches)				
		36	40	44	48
	36	90	90	90	90
	40	91	91	91	91
	44	95	94	94	93
48	99	99	98	98	

Add 2" for 16.5" Battery Compartment
Sideshift is Standard on Double Reach

N35ZDR₂					
Truck with 16.5" Battery Compartment and 42" ID					
3 Stage - 4" Between Loads					
Pallet Length (inches)	Pallet Width (inches)				
		36	40	44	48
	36	92	91	91	91
	40	96	96	95	94
	44	101	100	100	99
48	105	105	104	104	

Add 2" for 18.5" Battery Compartment
Add 5" for 21.5" Battery Compartment
Sideshift is Standard on Double Reach

BATTERY AND COMPARTMENT SPECIFICATIONS											
Battery Specifications											
Battery Compartment Size	Battery Voltage	Maximum 6 Hr Rate		Battery Dimensions						Minimum Batt. Wt.	Maximum Batt. Wt.
				"X" Max.		"Y" Max.		"Z" Max.			
		AH	KWH	in	(mm)	in	(mm)	in	(mm)	lb (kg)	lb (kg)
14.5"	36	775	27.2	38.8	(985)	14.25	(362)	31.0	(788)	1600 (726)	2100 (953)
16.5"	36	930	32.6	38.8	(985)	16.25	(413)	31.0	(788)	1850 (839)	2350 (1066)
18.5"	36	1085	38.1	38.8	(985)	18.25	(464)	31.0	(788)	2200 (998)	2800 (1270)
21.5"	36	1240	43.5	38.8	(985)	21.25	(540)	31.0	(788)	2500 (1134)	3100 (1406)



Battery Compartment is designed to accommodate standard wet cell batteries with fixed lifting eyes and no cover.
Contact Applications Engineering to verify compatibility / fit when using maintenance free, covered or non-standard batteries.
Battery Connector: 24V - Red; 36V - Gray; Position "B"; Lead Length 16"
Manufacturers Standard Cable Size Not to Exceed 4/0 AWG

STANDARD EQUIPMENT

- Fore / Aft Stance Operator Controls
- 36 Volt Battery (Includes 350 Amp Gray Battery Connector)
- 91" / 203" / 52" – 3 Stage Full Free Lift Mast (Standard on N30ZDR₂, N35ZR₂ and N40ZR₂)
- 95" / 212" / 56" – 3 Stage Full Free Lift Mast (Standard on N35ZDR₂ and N45ZR₂)
- Single Reach Mast (24" Extend) with 33.5" Wide Class II Hook Type Carriage (Standard on N35-45ZR₂)
- Double Reach (42" Extend) with 33.5" Wide Class II Hook Type Carriage (Standard on N30-35ZDR₂)
- Integral Sideshift with 7" Travel (Standard on N30-35ZDR₂)
- Forks: 1.6" x 3.9" x 42" (40 mm x 100 mm) – Class II Hook Type (Standard on N35ZR₂ and N30-35ZDR₂)
- Forks: 1.8" x 3.9" x 42" (45 mm x 100 mm) – Class II Hook Type (Standard on N40ZR₂ and N45ZR₂)
- 5" x 3.9" Poly Articulating Tandem Load Wheels - High Load Compound (Standard on N35-45ZR₂)
- 5" x 2.9" Poly Articulating Tandem Load Wheels - High Load Compound (Standard on N30-35ZDR₂)
- AC Traction, Lift / Lower and Steering
- Low Step Height
- Transistor Controller with Regenerative Braking
- i3 Technology™
- Power Lowering (unloaded) and Regenerative Lowering (Loaded)
- Programmable Traction Speed and Acceleration
- Electric Power Steering
- Polyurethane Drive Tire - 12.0" x 5.5" (Standard on N30ZDR₂, N35ZR₂, and N40ZR₂)
- Polyurethane Drive Tire - 13.5" x 5.5" (Standard on N35ZDR₂ and N45ZR₂)
- Dual Articulating Polyurethane Caster Wheels
- Power Disconnect
- Key Start
- 36" High Load Backrest Extension
- Sealed Battery Rollers
- Tilting Carriage (3° Fwd, 4° Back)
- Padded Operator Compartment
- Rear Post Operator Protection
- Operator's Overhead Guard
- Low Profile Anti-Fatigue Floormat
- Control Handle with Simultaneous Hydraulic Functions
- Graphic LCD Multi-Function Smart Display with:
 - Back lighting
 - Bar Graphic Battery Discharge Indicator and Lift Interrupt
 - Hour Meter; Truck, Traction and Hoist Pump
 - Performance Mode selection and Indication with lift interrupt
 - LED Status Indicators with symbols
 - Programmable Performance Modes
 - User passwords and Operator logs with history
 - Steer Wheel Angle Graphic Indication
 - Truck Inspection Check List
 - Truck Speed Indication in MPH or KPH
- Electronic Horn
- Static Discharge Strap
- Operator's Manual
- UL Classification


OPTIONAL EQUIPMENT

- Side-Stance Operator Controls
- Reverse Steering
- Forward Stance with Aft Travel Control Handle (allows selection of Fore/Aft automotive steer mode with drive tire centering through the dash service menu)
- Steered Caster - Electric
- Keyless Start
- Battery Stand
- Battery Puller
- Cooler/Freezer Construction (Operating Temperatures 0°F to 120°F)
- SubZero Freezer Construction (Operating Temperatures -40°F to 120°F)
- SubZero Freezer with Heated Floor and Control Handle (Operating Temperatures -40°F to 120°F)
- UL Classification EE
- Load Wheels with Greaseable Bearings
- Bolt-on Wheel Box for use with 5" x 3.9", 6" x 3.9", and 5" x 2.9" load wheels
- Tapered Basearm
- Poly Siped Drive Tires
- Poly X-Groove Drive Tires
- Various Fork Lengths
- Auto Fork Leveling
- Fork Height Display
- Fork Camera
- Fork – Laser Level Line
- Shelf Height Selector
- 48" High Load Backrest Extension
- Rear Operator Compartment Door
- Back-up and Motion Alarm
- Amber Strobe Light
- Operator Desktop Light
- Dual Headlight
- Rear Worklight
- High Speed Lift and Travel
- Operator Overhead Fan
- Load Weight Display
- Reduced Travel Speed with Carriage Extended
- RF Terminal Bracket
- RF Handheld Scanner Holder
- Impact Monitor
- Parts Manual



Hyster Company
P.O. Box 7006
Greenville, North Carolina
27835-7006
Part No. N30-45ZR/ZDR/TG
8/2017 Litho in U.S.A.

Visit us online at www.hyster.com or call us at **1-800-HYSTER-1**.

Hyster, , and STRONG PARTNERS. TOUGH TRUCKS. are registered trademarks in the United States and certain other jurisdictions. Hyster products are subject to change without notice.

Trucks may be shown with optional equipment. © 2017 Hyster Company. All rights reserved.