



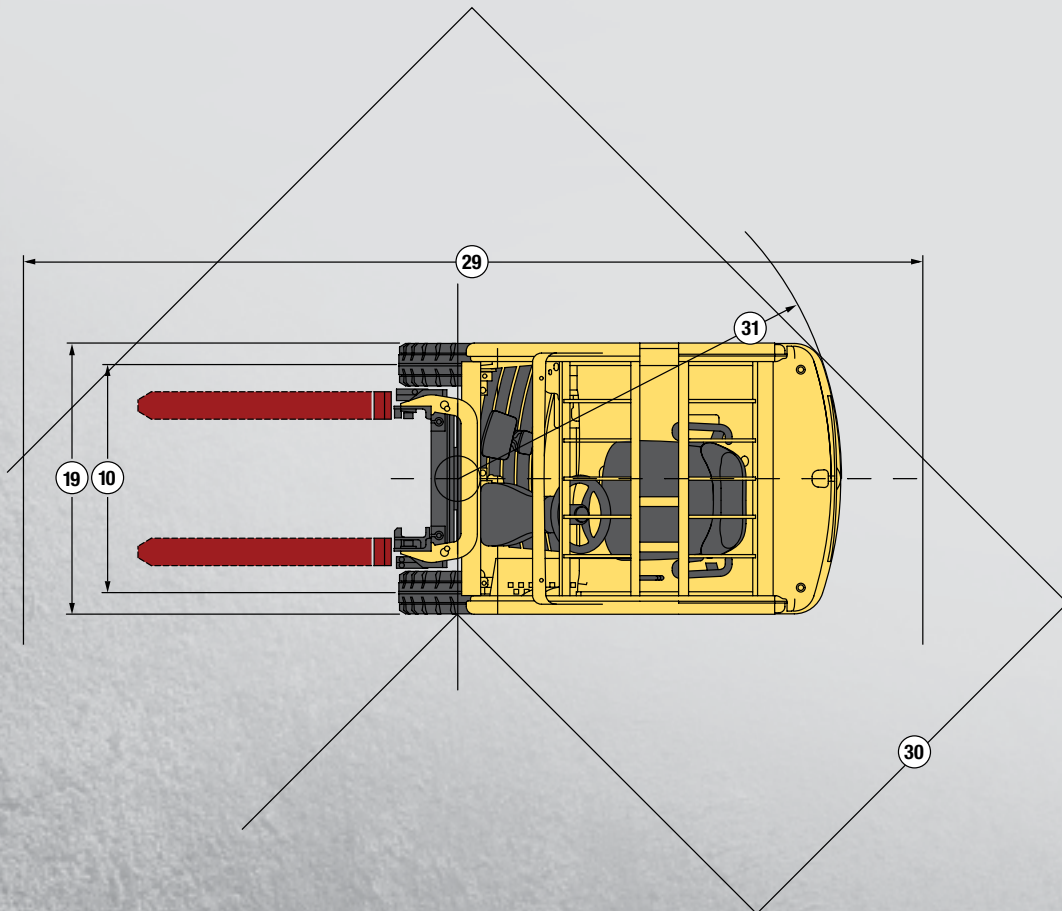
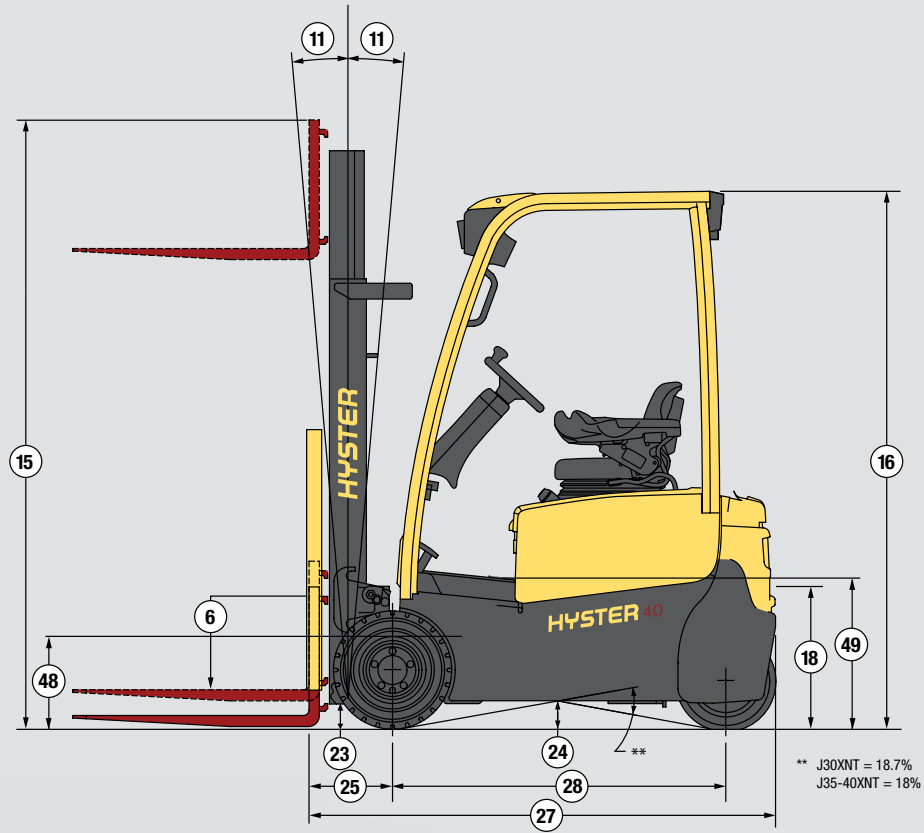
**STRONG PARTNERS.
TOUGH TRUCKS.™**



J30-40XNT/XN SERIES TECHNICAL GUIDE

WWW.HYSTER.COM

➤ J30-40XNT DIMENSIONS



Circled dimensions correspond to the line numbers on the tabulated chart inside the Technical Guide. Dimensions are in inches (millimeters).

GENERAL	1	Manufacturer		Hyster		
	2	Model Designation		J30XNT		
	3	Power		Electric		
	4	Operation		Sit		
	5	Rated Capacity	lb (kg)	3000 (1361)		
TIRES	6	Load Center	in (mm)	24 (610)		
	7	Tire Type - Cushion, Solid, Pneumatic, etc. (Drive / Steer)		Pneumatic Shaped Solid / Pneumatic Shaped Solid		
	8	Tire Size (Drive / Steer)	in	18 x 7-8 / 15 x 4.5-8		
	9	Wheels - Number X=Driven (Drive / Steer)		2X / 2		
	10	Tread Ctr. of Tires (Drive / Steer)	in (mm)	35 / 7.6 (889 / 194)		
DIMENSIONS	11	Mast Tilt	Std Opt Opt	degrees	5F / 5B 10F / 5B 5F / 4B	
	12	Mast - Lowered Height	Std Mast	in (mm)	78 (1980)	
		Free Lift - Top of Fork	Std 2 Stg Limited Free Lift Mast	in (mm)	5 (140)	
	13		Opt 2 Stg Full Free Lift Mast w/without LBR	in (mm)	29 / 55 (750 / 1405)	
	14	Lift Height - Top of Fork	Std 2 Stg Limited Free Lift Mast	in (mm)	119 (3032)	
	15	Mast - Extended Height	Std Mast with / without LBR	in (mm)	168 / 142 (4262 / 3606)	
	16	Overhead Guard Height	Std / Flat Plate / Drive in Rack	in (mm)	81.5 / 77.9 / 81.5 (2070 / 1979 / 2070)	
	17	SIP to Bottom Std OHG	Nominal Std / Susp / Swivel	in (mm)	38.5 / 37.5 / 37.4 (978 / 953 / 951)	
	18	Tow Pin Height	Vertical Center of Pin	in (mm)	21.2 (540)	
	19	Overall Width		in (mm)	41.3 (1050)	
	20	Forks	Thickness x Width x Length	in (mm)	1.6 x 3.9 x 42 (40 x 100 x 1067)	
	21	Standard Carriage Width		in (mm)	38.5 (977)	
	22	Floor to Top of Battery Rollers		in (mm)	7 (178)	
	23	Ground Clearance	Lowest Point (NL / RL)	in (mm)	2.8 / 2.8 (70 / 70)	
	24	Ground Clearance	Center of Truck (NL / RL)	in (mm)	3.9 / 3.9 (100 / 100)	
	25	Load Distance	Center of Wheel to Face of Forks	in (mm)	12.6 (321)	
	26	Battery Compartment	Height Std / Battery Rollers / Tall	in (mm)	23.9 / 25.4 / 26.7 (607 / 645 / 677)	
			Width	in (mm)	39 (990)	
			Length	in (mm)	21.5 (546)	
	27	Length to Face of Forks	Chassis Length	in (mm)	70.9 (1802)	
	28	Wheelbase		in (mm)	50.8 (1290)	
	29	Right Angle Stack††		in (mm)	122.2 (3103)	
	30	Equal Aisle	90° Intersecting Aisle	in (mm)	69.6 (1768)	
	31	Outside Turning Radius		in (mm)	58.3 (1481)	
	WT.	32	Truck Weight	Without Battery (NL)	lb (kg)	5120 (2322)
		33	Axle Loading - Drive	Static with Max. Wt. Battery (NL / RL)	lb (kg)	3555 / 8721 (1613 / 3956)
34		Axle Loading - Steer	Static with Max. Wt. Battery (NL / RL)	lb (kg)	3764 / 1599 (1707 / 725)	
PERFORMANCE †	35	Voltage			36 48	
	36	Travel Speed	Extended Shift OFF (NL / RL)	mph (km / h)	9.9 / 9.9 (16 / 16)	
			Extended Shift ON (NL / RL)	mph (km / h)	8.7 / 8.7 (14.0 / 14.0)	
	37	Lift Speed	Std 2 Stg LFL Mast (NL / RL)	ft / min (m / sec)	128 / 77 (0.65 / 0.39) 134 / 94 (0.68 / 0.48)	
			Opt 2 Stg FFL Mast (NL / RL)	ft / min (m / sec)	114 / 75 (0.58 / 0.38) 120 / 89 (0.61 / 0.45)	
			Opt 3 Stg FFL Mast (NL / RL)	ft / min (m / sec)	114 / 75 (0.58 / 0.38) 120 / 89 (0.61 / 0.45)	
			Opt 4 Stg FFL Mast (NL / RL)	ft / min (m / sec)	120 / 77 (0.61 / 0.39) 126 / 91 (0.64 / 0.46)	
	38	Lower Speed	Std 2 Stg LFL Mast (NL / RL)	ft / min (m / sec)	93 / 100 (0.47 / 0.51)	
			Opt 2 Stg FFL Mast (NL / RL)	ft / min (m / sec)	77 / 91 (0.39 / 0.46)	
			Opt 3 Stg FFL Mast (NL / RL)	ft / min (m / sec)	81 / 91 (0.41 / 0.46)	
			Opt 4 Stg FFL Mast (NL / RL)	ft / min (m / sec)	94 / 98 (0.48 / 0.50)	
	39	Gradeability	5 Minute Rating (NL / RL)	%	38.4 / 26.5 34 / 25	
			60 Minute Rating (NL / RL)	%	6.0 / 4.4 9.9 / 6.5	
40	Drawbar Pull	5 Minute Rating (NL / RL)	lbf	2719 / 2714 (12096 / 12072) 2489 / 2437 (11072 / 10840)		
		60 Minute Rating (NL / RL)	lbf	458 / 462 (2038 / 2054) 744 / 691 (3309 / 3074)		
41	Brake	Method of Control (Service / Parking)		Hydraulic / Mechanical		
		Method of Operation (Service / Parking)		Foot / Automatic		
ELECTRIC	42	Battery	Type		Lead Acid	
	43	Traction Motors (Dual)	60 Minute Rating (Each)	hp (kW)	6.4 (4.8) 6.7 (5.0)	
	44	Pump Motor	15 Minute Rating	hp (kW)	16.1 (12.0)	
	45	Traction Motors	Type / Control Method		AC / Transistor	
	46	Pump Motor	Type / Control Method		AC / Transistor	
47	Number of Speeds	Traction / Pump		Infinitely Variable / Infinitely Variable		
OTHER	48	Step Height		in (mm)	19.1 (484)	
	49	Floor Height	Lowest Point	in (mm)	22.0 (560)	
	50	Attachment Relief Pressure (Mech Levers / Mini-levers)		psi (bar)	2600 / 2250 (180 / 155)	
	51	Auxiliary Oil Flow	3rd and 4th Function	gal / min (l / min)	5.3 / 10.6 (20 / 40)	
	52	Sound Level	Measured per ANSI B56.11.5		dB (A)	69

† Performance specifications / ratings are for truck equipped as described under Standard Equipment in this Technical Guide. Performance specifications are affected by the condition of the vehicle and how it is equipped, as well as by the nature and condition of the operating area. Specifications are subject to change and the proposed application should be discussed with your authorized Hyster Company Dealer.

†† The Industrial Truck Association (ITA) defines the formula for calculating Right Angle Stack on 3-wheel trucks with counter rotating load wheels as: $Right\ Angle\ Stack = OTR + \sqrt{(Load\ Distance + Load\ Length)^2 + (Load\ Width)^2}$ (For a 40" wide by 48" long pallet load.) Hyster uses this ITA formula to calculate Right Angle Stack on our 3 and 4 wheel trucks with a zero turn steer axle and counter rotating load wheels. Some documentation incorrectly calculates Right Angle Stack on a 3-wheel zero-turn truck with counter rotating load wheels using the following formula: $Right\ Angle\ Stack = OTR + Load\ Distance + Load\ Length$. This formula generates a value which is invalid and lower than actual Right Angle Stack. When making comparisons, be sure the correct ITA formula is used to calculate Right Angle Stack.

J35XNT SPECIFICATIONS

GENERAL	1		Manufacturer		Hyster	
	2		Model Designation		J35XNT	
3		Power		Electric		
4		Operation		Sit		
5		Rated Capacity		lb (kg) 3500 (1588)		
6		Load Center		in (mm) 24 (610)		
TIRES	7		Tire Type - Cushion, Solid, Pneumatic, etc. (Drive / Steer)		Pneumatic Shaped Solid / Pneumatic Shaped Solid	
	8		Tire Size (Drive / Steer)		18 x 7-8 / 15 x 4.5-8	
9		Wheels - Number X=Driven (Drive / Steer)		2X / 2		
10		Tread Ctr. of Tires (Drive / Steer)		in (mm) 35 / 7.6 (889 / 194)		
DIMENSIONS	11		Mast Tilt		Std Opt Opt degrees 5F / 5B 10F / 5B 5F / 4B	
	12		Mast - Lowered Height		Std Mast in (mm) 78 (1980)	
	13		Free Lift - Top of Fork		Std 2 Stg Limited Free Lift Mast in (mm) 5 (140)	
	14		Lift Height - Top of Fork		Opt 2 Stg Full Free Lift Mast w/without LBR in (mm) 29 / 55 (750 / 1405)	
	15		Mast - Extended Height		Std 2 Stg Limited Free Lift Mast in (mm) 119 (3032)	
	16		Overhead Guard Height		Std Mast with / without LBR in (mm) 168 / 142 (4262 / 3606)	
	17		SIP to Bottom Std OHG		Std / Flat Plate / Drive in Rack in (mm) 81.5 / 77.9 / 81.5 (2070 / 1979 / 2070)	
	18		Tow Pin Height		Nominal Std / Susp / Swivel in (mm) 38.5 / 37.5 / 37.4 (978 / 953 / 951)	
	19		Overall Width		Vertical Center of Pin in (mm) 21.2 (540)	
	20		Forks		Thickness x Width x Length in (mm) 41.3 (1050)	
	21		Standard Carriage Width		in (mm) 1.6 x 3.9 x 42 (40 x 100 x 1067)	
	22		Floor to Top of Battery Rollers		in (mm) 38.5 (977)	
	23		Ground Clearance		Lowest Point (NL / RL) in (mm) 7 (178)	
	24		Ground Clearance		Center of Truck (NL / RL) in (mm) 2.8 / 2.8 (70 / 70)	
	25		Load Distance		Center of Wheel to Face of Forks in (mm) 3.9 / 3.9 (100 / 100)	
	26		Battery Compartment		Height Std / Battery Rollers / Tall in (mm) 12.6 (321)	
	27		Length to Face of Forks		Width in (mm) 23.9 / 25.4 / 26.7 (607 / 645 / 677)	
	28		Wheelbase		Length in (mm) 39 (990)	
29		Right Angle Stack††		Chassis Length in (mm) 25.3 (642)		
30		Equal Aisle		90° Intersecting Aisle in (mm) 74.7 (1898)		
31		Outside Turning Radius		in (mm) 54.6 (1386)		
WT.	32		Truck Weight		Without Battery (NL) lb (kg) 5250 (2381)	
	33		Axle Loading - Drive		Static with Max. Wt. Battery (NL / RL) lb (kg) 3705 / 9558 (1681 / 4335)	
	34		Axle Loading - Steer		Static with Max. Wt. Battery (NL / RL) lb (kg) 3937 / 1584 (1786 / 718)	
PERFORMANCE †	35		Voltage		36 48	
	36		Travel Speed		Extended Shift OFF (NL / RL) mph (km / h) 9.9 / 9.9 (16 / 16)	
	37		Lift Speed		Extended Shift ON (NL / RL) mph (km / h) 8.7 / 8.7 (14.0 / 14.0)	
					Std 2 Stg LFL Mast (NL / RL) ft / min (m / sec) 128 / 71 (0.65 / 0.36) 134 / 89 (0.68 / 0.45)	
					Opt 2 Stg FFL Mast (NL / RL) ft / min (m / sec) 114 / 69 (0.58 / 0.35) 120 / 85 (0.61 / 0.43)	
					Opt 3 Stg FFL Mast (NL / RL) ft / min (m / sec) 114 / 69 (0.58 / 0.35) 120 / 85 (0.61 / 0.43)	
					Opt 4 Stg FFL Mast (NL / RL) ft / min (m / sec) 120 / 73 (0.61 / 0.37) 126 / 89 (0.64 / 0.45)	
	38		Lower Speed		Std 2 Stg LFL Mast (NL / RL) ft / min (m / sec) 93 / 100 (0.47 / 0.51)	
					Opt 2 Stg FFL Mast (NL / RL) ft / min (m / sec) 77 / 91 (0.39 / 0.46)	
					Opt 3 Stg FFL Mast (NL / RL) ft / min (m / sec) 81 / 91 (0.41 / 0.46)	
					Opt 4 Stg FFL Mast (NL / RL) ft / min (m / sec) 94 / 98 (0.48 / 0.50)	
	39		Gradeability		5 Minute Rating (NL / RL) % 36.2 / 24.3 35.0 / 25.0	
40		Drawbar Pull		60 Minute Rating (NL / RL) % 5.7 / 4.0 9.2 / 5.9		
41		Brake		5 Minute Rating (NL / RL) lbf 2719 / 2712 (12093 / 12065) 2479 / 2417 (11027 / 10751)		
				60 Minute Rating (NL / RL) lbf 457 / 460 (2035 / 2047) 733 / 672 (3261 / 2989)		
ELECTRIC	42		Battery		Method of Control (Service / Parking) Hydraulic / Mechanical	
	43		Traction Motors (Dual)		Method of Operation (Service / Parking) Foot / Automatic	
	44		Pump Motor		Type Lead Acid	
	45		Traction Motors		60 Minute Rating (Each) hp (kW) 6.4 (4.8) 6.7 (5.0)	
	46		Pump Motor		15 Minute Rating hp (kW) 16.1 (12.0)	
	47		Number of Speeds		Type / Control Method AC / Transistor	
	48		Step Height		Type / Control Method AC / Transistor	
OTHER	49		Floor Height		Traction / Pump Infinitely Variable / Infinitely Variable	
	50		Attachment Relief Pressure (Mech Levers / Mini-levers)		in (mm) 19.1 (484)	
	51		Auxiliary Oil Flow		in (mm) 22.0 (560)	
	52		Sound Level		psi (bar) 2600 / 2250 (180 / 155)	

† Performance specifications / ratings are for truck equipped as described under Standard Equipment in this Technical Guide. Performance specifications are affected by the condition of the vehicle and how it is equipped, as well as by the nature and condition of the operating area. Specifications are subject to change and the proposed application should be discussed with your authorized Hyster Company Dealer.

†† The Industrial Truck Association (ITA) defines the formula for calculating Right Angle Stack on 3-wheel trucks with counter rotating load wheels as: $Right\ Angle\ Stack = OTR + \sqrt{(Load\ Distance + Load\ Length)^2 + (\frac{Load\ Width}{2})^2}$ (For a 40" wide by 48" long pallet load.) Hyster uses this ITA formula to calculate Right Angle Stack on our 3 and 4 wheel trucks with a zero turn steer axle and counter rotating load wheels. Some documentation incorrectly calculates Right Angle Stack on a 3-wheel zero-turn truck with counter rotating load wheels using the following formula: $Right\ Angle\ Stack = OTR + Load\ Distance + Load\ Length$. This formula generates a value which is invalid and lower than actual Right Angle Stack. When making comparisons, be sure the correct ITA formula is used to calculate Right Angle Stack.

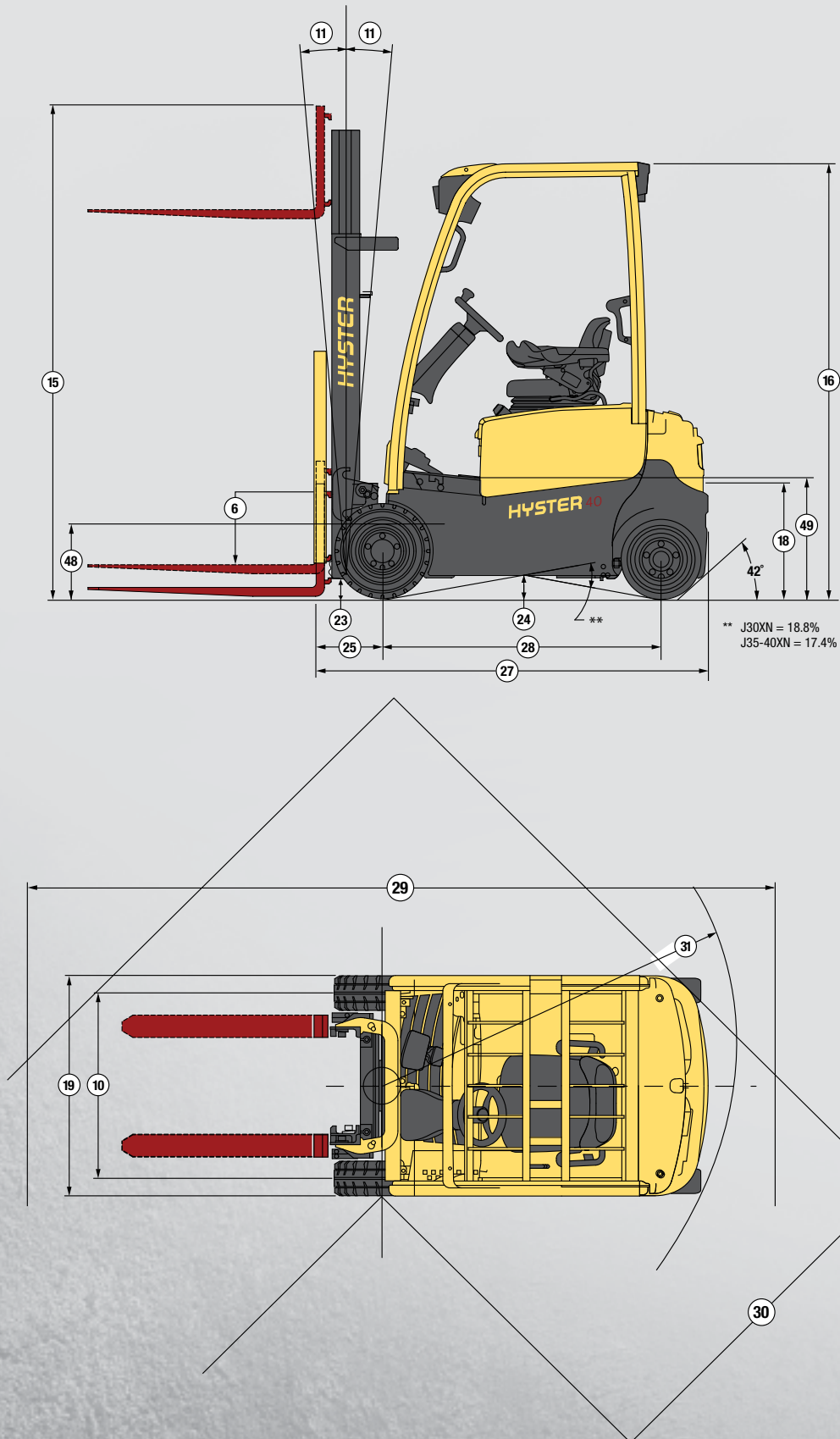
J40XNT SPECIFICATIONS

GENERAL	1	Manufacturer		Hyster
	2	Model Designation		J40XNT
	3	Power		Electric
	4	Operation		Sit
	5	Rated Capacity	lb (kg)	4000 (1814)
	6	Load Center	in (mm)	24 (610)
TIRES	7	Tire Type - Cushion, Solid, Pneumatic, etc. (Drive / Steer)		Pneumatic Shaped Solid / Pneumatic Shaped Solid
	8	Tire Size (Drive / Steer)	in	200 / 50-10 / 15 x 4.5-8
	9	Wheels - Number X=Driven (Drive / Steer)		2X / 2
DIMENSIONS	10	Tread Ctr. of Tires (Drive / Steer)	in (mm)	35.7 / 7.6 (908 / 194)
	11	Mast Tilt	Std Opt Opt	degrees 5F / 5B 10F / 5B 5F / 4B
	12	Mast - Lowered Height	Std Mast	in (mm) 78 (1980)
		Free Lift - Top of Fork	Std 2 Stg Limited Free Lift Mast	in (mm) 5 (140)
	13		Opt 2 Stg Full Free Lift Mast w/without LBR	in (mm) 29 / 55 (750 / 1405)
	14	Lift Height - Top of Fork	Std 2 Stg Limited Free Lift Mast	in (mm) 119 (3032)
	15	Mast - Extended Height	Std Mast with / without LBR	in (mm) 168 / 142 (4262 / 3606)
	16	Overhead Guard Height	Std / Flat Plate / Drive in Rack	in (mm) 81.5 / 77.9 / 81.5 (2070 / 1979 / 2070)
	17	SIP to Bottom Std OHG	Nominal Std / Susp / Swivel	in (mm) 38.5 / 37.5 / 37.4 (978 / 953 / 951)
	18	Tow Pin Height	Vertical Center of Pin	in (mm) 21.2 (540)
	19	Overall Width		in (mm) 43.9 (1116)
	20	Forks	Thickness x Width x Length	in (mm) 1.6 x 3.9 x 42 (40 x 100 x 1067)
	21	Standard Carriage Width		in (mm) 38.5 (977)
	22	Floor to Top of Battery Rollers		in (mm) 7 (178)
	23	Ground Clearance	Lowest Point (NL / RL)	in (mm) 2.8 / 2.8 (70 / 70)
	24	Ground Clearance	Center of Truck (NL / RL)	in (mm) 3.9 / 3.9 (100 / 100)
	25	Load Distance	Center of Wheel to Face of Forks	in (mm) 12.6 (321)
	26	Battery Compartment	Height Std / Battery Rollers / Tall	in (mm) 23.9 / 25.4 / 26.7 (607 / 645 / 677)
			Width	in (mm) 39 (990)
			Length	in (mm) 25.3 (642)
	27	Length to Face of Forks	Chassis Length	in (mm) 74.7 (1898)
	28	Wheelbase		in (mm) 54.6 (1386)
	29	Right Angle Stack ^{††}		in (mm) 125.9 (3199)
	30	Equal Aisle	90° Intersecting Aisle	in (mm) 71.5 (1817)
	31	Outside Turning Radius		in (mm) 62.1 (1577)
	WT.	32	Truck Weight	Without Battery (NL)
33		Axle Loading - Drive	Static with Max. Wt. Battery (NL / RL)	lb (kg) 3749 / 10438 (1701 / 4735)
34		Axle Loading - Steer	Static with Max. Wt. Battery (NL / RL)	lb (kg) 3937 / 1248 (1786 / 566)
PERFORMANCE [†]	35	Voltage		36 48
	36	Travel Speed	Extended Shift OFF (NL / RL)	mph (km / h) 9.9 / 9.9 (16 / 16)
			Extended Shift ON (NL / RL)	mph (km / h) 8.7 / 8.7 (14.0 / 14.0)
	37	Lift Speed	Std 2 Stg LFL Mast (NL / RL)	ft / min (m / sec) 128 / 67 (0.65 / 0.34) 134 / 83 (0.68 / 0.42)
			Opt 2 Stg FFL Mast (NL / RL)	ft / min (m / sec) 114 / 65 (0.58 / 0.33) 120 / 81 (0.61 / 0.41)
			Opt 3 Stg FFL Mast (NL / RL)	ft / min (m / sec) 114 / 65 (0.58 / 0.33) 120 / 81 (0.61 / 0.41)
			Opt 4 Stg FFL Mast (NL / RL)	ft / min (m / sec) 120 / 71 (0.61 / 0.36) 126 / 89 (0.64 / 0.45)
	38	Lower Speed	Std 2 Stg LFL Mast (NL / RL)	ft / min (m / sec) 93 / 100 (0.47 / 0.51)
			Opt 2 Stg FFL Mast (NL / RL)	ft / min (m / sec) 77 / 93 (0.39 / 0.47)
			Opt 3 Stg FFL Mast (NL / RL)	ft / min (m / sec) 81 / 93 (0.41 / 0.47)
			Opt 4 Stg FFL Mast (NL / RL)	ft / min (m / sec) 94 / 98 (0.48 / 0.50)
	39	Gradeability	5 Minute Rating (NL / RL)	% 36.0 / 23.6 34.0 / 21.0
		60 Minute Rating (NL / RL)	% 5.7 / 3.9 9.2 / 5.6	
40	Drawbar Pull	5 Minute Rating (NL / RL)	lbf 2719 / 2712 (12093 / 12062) 2479 / 2409 (11027 / 10716)	
		60 Minute Rating (NL / RL)	lbf 457 / 460 (2034 / 2044) 733 / 663 (3261 / 2949)	
41	Brake	Method of Control (Service / Parking)	Hydraulic / Mechanical	
		Method of Operation (Service / Parking)	Foot / Automatic	
ELECTRIC	42	Battery	Type	Lead Acid
	43	Traction Motors (Dual)	60 Minute Rating (Each)	hp (kW) 6.4 (4.8) 6.7 (5.0)
	44	Pump Motor	15 Minute Rating	hp (kW) 16.1 (12.0)
	45	Traction Motors	Type / Control Method	AC / Transistor
	46	Pump Motor	Type / Control Method	AC / Transistor
	47	Number of Speeds	Traction / Pump	Infinitely Variable / Infinitely Variable
OTHER	48	Step Height		in (mm) 19.1 (484)
	49	Floor Height	Lowest Point	in (mm) 22.0 (560)
	50	Attachment Relief Pressure (Mech Levers / Mini-levers)		psi (bar) 2600 / 2250 (180 / 155)
	51	Auxiliary Oil Flow	3rd and 4th Function	gal / min (l / min) 5.3 / 10.6 (20 / 40)
	52	Sound Level	Measured per ANSI B56.11.5	dB (A) 69

[†] Performance specifications / ratings are for truck equipped as described under Standard Equipment in this Technical Guide. Performance specifications are affected by the condition of the vehicle and how it is equipped, as well as by the nature and condition of the operating area. Specifications are subject to change and the proposed application should be discussed with your authorized Hyster Company Dealer.

^{††} The Industrial Truck Association (ITA) defines the formula for calculating Right Angle Stack on 3-wheel trucks with counter rotating load wheels as: $Right\ Angle\ Stack = OTR + \sqrt{(Load\ Distance + Load\ Length)^2 + (Load\ Width)^2}$ (For a 40" wide by 48" long pallet load.) Hyster uses this ITA formula to calculate Right Angle Stack on our 3 and 4 wheel trucks with a zero turn steer axle and counter rotating load wheels. Some documentation incorrectly calculates Right Angle Stack on a 3-wheel zero-turn truck with counter rotating load wheels using the following formula: $Right\ Angle\ Stack = OTR + Load\ Distance + Load\ Length$. This formula generates a value which is invalid and lower than actual Right Angle Stack. When making comparisons, be sure the correct ITA formula is used to calculate Right Angle Stack.

➤ J30-40XN DIMENSIONS



Circled dimensions correspond to the line numbers on the tabulated chart inside the Technical Guide. Dimensions are in inches (millimeters).

GENERAL	1	Manufacturer		Hyster		
	2	Model Designation		J30XN		
	3	Power		Electric		
	4	Operation		Sit		
	5	Rated Capacity	lb (kg)	3000 (1361)		
TIRES	6	Load Center	in (mm)	24 (610)		
	7	Tire Type - Cushion, Solid, Pneumatic, etc. (Drive / Steer)		Pneumatic Shaped Solid / Pneumatic Shaped Solid		
	8	Tire Size (Drive / Steer)	in	18 x 7-8 / 140 / 55-9		
	9	Wheels - Number X=Driven (Drive / Steer)		2X / 2		
	10	Tread Ctr. of Tires (Drive / Steer)	in (mm)	35 / 35.4 (889 / 898)		
DIMENSIONS	11	Mast Tilt	Std Opt Opt	degrees	5F / 5B 10F / 5B 5F / 4B	
	12	Mast - Lowered Height	Std Mast	in (mm)	78 (1980)	
		Free Lift - Top of Fork	Std 2 Stg Limited Free Lift Mast	in (mm)	5 (140)	
	13		Opt 2 Stg Full Free Lift Mast w/out LBR	in (mm)	29 / 55 (750 / 1405)	
	14	Lift Height - Top of Fork	Std 2 Stg Limited Free Lift Mast	in (mm)	119 (3032)	
	15	Mast - Extended Height	Std Mast with / without LBR	in (mm)	168 / 142 (4262 / 3606)	
	16	Overhead Guard Height	Std / Flat Plate / Drive in Rack	in (mm)	81.5 / 77.9 / 81.5 (2070 / 1979 / 2070)	
	17	SIP to Bottom Std OHG	Nominal Std / Susp / Swivel	in (mm)	38.5 / 37.5 / 37.4 (978 / 953 / 951)	
	18	Tow Pin Height	Vertical Center of Pin	in (mm)	14.1 (360)	
	19	Overall Width		in (mm)	41.3 (1050)	
	20	Forks	Thickness x Width x Length	in (mm)	1.6 x 3.9 x 42 (40 x 100 x 1067)	
	21	Standard Carriage Width		in (mm)	38.5 (977)	
	22	Floor to Top of Battery Rollers		in (mm)	7 (178)	
	23	Ground Clearance	Lowest Point (NL / RL)	in (mm)	2.8 / 2.8 (70 / 70)	
	24	Ground Clearance	Center of Truck (NL / RL)	in (mm)	3.9 / 3.9 (100 / 100)	
	25	Load Distance	Center of Wheel to Face of Forks	in (mm)	12.6 (321)	
	26	Battery Compartment	Height Std / Battery Rollers / Tall	in (mm)	23.9 / 25.4 / 26.7 (607 / 645 / 677)	
			Width	in (mm)	39 (990)	
			Length	in (mm)	21.5 (546)	
	27	Length to Face of Forks	Chassis Length	in (mm)	74 (1879)	
	28	Wheelbase		in (mm)	52.6 (1335)	
	29	Right Angle Stack ^{††}		in (mm)	125.2 (3180)	
	30	Equal Aisle	90° Intersecting Aisle	in (mm)	70.1 (1781)	
	31	Outside Turning Radius		in (mm)	61.3 (1558)	
	WT.	32	Truck Weight	Without Battery (NL)	lb (kg)	5140 (2331)
		33	Axle Loading - Drive	Static with Max. Wt. Battery (NL / RL)	lb (kg)	3641 / 8733 (1652 / 3961)
34		Axle Loading - Steer	Static with Max. Wt. Battery (NL / RL)	lb (kg)	3695 / 1603 (1676 / 727)	
PERFORMANCE [†]	35	Voltage			36 48	
	36	Travel Speed	Extended Shift OFF (NL / RL)	mph (km / h)	9.9 / 9.9 (16 / 16)	
			Extended Shift ON (NL / RL)	mph (km / h)	8.7 / 8.7 (14.0 / 14.0)	
	37	Lift Speed	Std 2 Stg LFL Mast (NL / RL)	ft / min (m / sec)	128 / 77 (0.65 / 0.39) 134 / 94 (0.68 / 0.48)	
			Opt 2 Stg FFL Mast (NL / RL)	ft / min (m / sec)	114 / 75 (0.58 / 0.38) 120 / 89 (0.61 / 0.45)	
			Opt 3 Stg FFL Mast (NL / RL)	ft / min (m / sec)	114 / 75 (0.58 / 0.38) 120 / 89 (0.61 / 0.45)	
			Opt 4 Stg FFL Mast (NL / RL)	ft / min (m / sec)	120 / 77 (0.61 / 0.39) 126 / 91 (0.64 / 0.46)	
	38	Lower Speed	Std 2 Stg LFL Mast (NL / RL)	ft / min (m / sec)	93 / 100 (0.47 / 0.51)	
			Opt 2 Stg FFL Mast (NL / RL)	ft / min (m / sec)	77 / 91 (0.39 / 0.46)	
			Opt 3 Stg FFL Mast (NL / RL)	ft / min (m / sec)	81 / 91 (0.41 / 0.46)	
			Opt 4 Stg FFL Mast (NL / RL)	ft / min (m / sec)	94 / 98 (0.48 / 0.50)	
	39	Gradeability	5 Minute Rating (NL / RL)	%	38.4 / 26.5 34 / 25	
		60 Minute Rating (NL / RL)	%	6.0 / 4.4 9.9 / 6.5		
40	Drawbar Pull	5 Minute Rating (NL / RL)	lbf	2719 / 2714 (12096 / 12072) 2489 / 2437 (11072 / 10840)		
		60 Minute Rating (NL / RL)	lbf	458 / 462 (2038 / 2054) 744 / 691 (3309 / 3074)		
41	Brake	Method of Control (Service / Parking)		Hydraulic / Mechanical		
		Method of Operation (Service / Parking)		Foot / Automatic		
ELECTRIC	42	Battery	Type		Lead Acid	
	43	Traction Motors (Dual)	60 Minute Rating (Each)	hp (kW)	6.4 (4.8) 6.7 (5.0)	
	44	Pump Motor	15 Minute Rating	hp (kW)	16.1 (12.0)	
	45	Traction Motors	Type / Control Method		AC / Transistor	
	46	Pump Motor	Type / Control Method		AC / Transistor	
47	Number of Speeds	Traction / Pump		Infinitely Variable / Infinitely Variable		
OTHER	48	Step Height		in (mm)	19.1 (484)	
	49	Floor Height	Lowest Point	in (mm)	22.0 (560)	
	50	Attachment Relief Pressure (Mech Levers / Mini-levers)		psi (bar)	2600 / 2250 (180 / 155)	
	51	Auxiliary Oil Flow	3rd and 4th Function	gal / min (l / min)	5.3 / 10.6 (20 / 40)	
	52	Sound Level	Measured per ANSI B56.11.5		dB (A)	69

[†] Performance specifications / ratings are for truck equipped as described under Standard Equipment in this Technical Guide. Performance specifications are affected by the condition of the vehicle and how it is equipped, as well as by the nature and condition of the operating area. Specifications are subject to change and the proposed application should be discussed with your authorized Hyster Company Dealer.

^{††} The Industrial Truck Association (ITA) defines the formula for calculating Right Angle Stack on 3-wheel trucks with counter rotating load wheels as:
 $Right\ Angle\ Stack = OTR + \sqrt{(Load\ Distance + Load\ Length)^2 + (\frac{Load\ Width}{2})^2}$ (For a 40" wide by 48" long pallet load.) Hyster uses this ITA formula to calculate Right Angle Stack on our 3 and 4 wheel trucks with a zero turn steer axle and counter rotating load wheels. Some documentation incorrectly calculates Right Angle Stack on a 3-wheel zero-turn truck with counter rotating load wheels using the following formula: $Right\ Angle\ Stack = OTR + Load\ Distance + Load\ Length$. This formula generates a value which is invalid and lower than actual Right Angle Stack. When making comparisons, be sure the correct ITA formula is used to calculate Right Angle Stack.

J35XN SPECIFICATIONS

			GENERAL	
1	Manufacturer		Hyster	
2	Model Designation		J35XN	
3	Power		Electric	
4	Operation		Sit	
5	Rated Capacity	lb (kg)	3500 (1588)	
6	Load Center	in (mm)	24 (610)	
7	Tire Type - Cushion, Solid, Pneumatic, etc. (Drive / Steer)		Pneumatic Shaped Solid / Pneumatic Shaped Solid	
8	Tire Size (Drive / Steer)	in	18 x 7-8 / 140 / 55-9	
9	Wheels - Number X=Driven (Drive / Steer)		2X / 2	
10	Tread Ctr. of Tires (Drive / Steer)	in (mm)	35 / 35.4 (889 / 898)	
11	Mast Tilt	Std Opt Opt	degrees 5F / 5B 10F / 5B 5F / 4B	
12	Mast - Lowered Height	Std Mast	in (mm) 78 (1980)	
	Free Lift - Top of Fork	Std 2 Stg Limited Free Lift Mast	in (mm) 5 (140)	
13		Opt 2 Stg Full Free Lift Mast w/without LBR	in (mm) 29 / 55 (750 / 1405)	
14	Lift Height - Top of Fork	Std 2 Stg Limited Free Lift Mast	in (mm) 119 (3032)	
15	Mast - Extended Height	Std Mast with / without LBR	in (mm) 168 / 142 (4262 / 3606)	
16	Overhead Guard Height	Std / Flat Plate / Drive in Rack	in (mm) 81.5 / 77.9 / 81.5 (2070 / 1979 / 2070)	
17	SIP to Bottom Std OHG	Nominal Std / Susp / Swivel	in (mm) 38.5 / 37.5 / 37.4 (978 / 953 / 951)	
18	Tow Pin Height	Vertical Center of Pin	in (mm) 14.1 (360)	
19	Overall Width		in (mm) 41.3 (1050)	
20	Forks	Thickness x Width x Length	in (mm) 1.6 x 3.9 x 42 (40 x 100 x 1067)	
21	Standard Carriage Width		in (mm) 38.5 (977)	
22	Floor to Top of Battery Rollers		in (mm) 7 (178)	
23	Ground Clearance	Lowest Point (NL / RL)	in (mm) 2.8 / 2.8 (70 / 70)	
24	Ground Clearance	Center of Truck (NL / RL)	in (mm) 3.9 / 3.9 (100 / 100)	
25	Load Distance	Center of Wheel to Face of Forks	in (mm) 12.6 (321)	
26	Battery Compartment	Height Std / Battery Rollers / Tall	in (mm) 23.9 / 25.4 / 26.7 (607 / 645 / 677)	
		Width	in (mm) 39 (990)	
		Length	in (mm) 25.3 (642)	
27	Length to Face of Forks	Chassis Length	in (mm) 77.8 (1975)	
28	Wheelbase		in (mm) 56.3 (1431)	
29	Right Angle Stack††		in (mm) 129 (3276)	
30	Equal Aisle	90° Intersecting Aisle	in (mm) 71.4 (1813)	
31	Outside Turning Radius		in (mm) 65.1 (1654)	
32	Truck Weight	Without Battery (NL)	lb (kg) 5270 (2390)	
33	Axle Loading - Drive	Static with Max. Wt. Battery (NL / RL)	lb (kg) 3795 / 9573 (1721 / 4342)	
34	Axle Loading - Steer	Static with Max. Wt. Battery (NL / RL)	lb (kg) 3866 / 1588 (1754 / 720)	
35	Voltage		36 48	
36	Travel Speed	Extended Shift OFF (NL / RL)	mph (km / h) 9.9 / 9.9 (16 / 16)	
		Extended Shift ON (NL / RL)	mph (km / h) 8.7 / 8.7 (14.0 / 14.0)	
37	Lift Speed	Std 2 Stg LFL Mast (NL / RL)	ft / min (m / sec) 128 / 71 (0.65 / 0.36) 134 / 89 (0.68 / 0.45)	
		Opt 2 Stg FFL Mast (NL / RL)	ft / min (m / sec) 114 / 69 (0.58 / 0.35) 120 / 85 (0.61 / 0.43)	
		Opt 3 Stg FFL Mast (NL / RL)	ft / min (m / sec) 114 / 69 (0.58 / 0.35) 120 / 85 (0.61 / 0.43)	
		Opt 4 Stg FFL Mast (NL / RL)	ft / min (m / sec) 120 / 73 (0.61 / 0.37) 126 / 89 (0.64 / 0.45)	
38	Lower Speed	Std 2 Stg LFL Mast (NL / RL)	ft / min (m / sec) 93 / 100 (0.47 / 0.51)	
		Opt 2 Stg FFL Mast (NL / RL)	ft / min (m / sec) 77 / 91 (0.39 / 0.46)	
		Opt 3 Stg FFL Mast (NL / RL)	ft / min (m / sec) 81 / 91 (0.41 / 0.46)	
		Opt 4 Stg FFL Mast (NL / RL)	ft / min (m / sec) 94 / 98 (0.48 / 0.50)	
39	Gradeability	5 Minute Rating (NL / RL)	% 36.2 / 24.3 35.0 / 25.0	
		60 Minute Rating (NL / RL)	% 5.7 / 4.0 9.2 / 5.9	
40	Drawbar Pull	5 Minute Rating (NL / RL)	lbf 2719 / 2712 (12093 / 12065) 2479 / 2417 (11027 / 10751)	
		60 Minute Rating (NL / RL)	lbf 457 / 460 (2035 / 2047) 733 / 672 (3261 / 2989)	
41	Brake	Method of Control (Service / Parking)	Hydraulic / Mechanical	
		Method of Operation (Service / Parking)	Foot / Automatic	
42	Battery	Type	Lead Acid	
43	Traction Motors (Dual)	60 Minute Rating (Each)	hp (kW) 6.4 (4.8) 6.7 (5.0)	
44	Pump Motor	15 Minute Rating	hp (kW) 16.1 (12.0)	
45	Traction Motors	Type / Control Method	AC / Transistor	
46	Pump Motor	Type / Control Method	AC / Transistor	
47	Number of Speeds	Traction / Pump	Infinitely Variable / Infinitely Variable	
48	Step Height		in (mm) 19.1 (484)	
49	Floor Height	Lowest Point	in (mm) 22.0 (560)	
50	Attachment Relief Pressure (Mech Levers / Mini-levers)		psi (bar) 2600 / 2250 (180 / 155)	
51	Auxiliary Oil Flow	3rd and 4th Function	gal / min (l / min) 5.3 / 10.6 (20 / 40)	
52	Sound Level	Measured per ANSI B56.11.5	dB (A) 69	

† Performance specifications / ratings are for truck equipped as described under Standard Equipment in this Technical Guide. Performance specifications are affected by the condition of the vehicle and how it is equipped, as well as by the nature and condition of the operating area. Specifications are subject to change and the proposed application should be discussed with your authorized Hyster Company Dealer.

†† The Industrial Truck Association (ITA) defines the formula for calculating Right Angle Stack on 3-wheel trucks with counter rotating load wheels as:
 $Right\ Angle\ Stack = OTR + \sqrt{(Load\ Distance + Load\ Length)^2 + (\frac{Load\ Width}{2})^2}$ (For a 40" wide by 48" long pallet load.) Hyster uses this ITA formula to calculate Right Angle Stack on our 3 and 4 wheel trucks with a zero turn steer axle and counter rotating load wheels. Some documentation incorrectly calculates Right Angle Stack on a 3-wheel zero-turn truck with counter rotating load wheels using the following formula: $Right\ Angle\ Stack = OTR + Load\ Distance + Load\ Length$. This formula generates a value which is invalid and lower than actual Right Angle Stack. When making comparisons, be sure the correct ITA formula is used to calculate Right Angle Stack.

J40XN SPECIFICATIONS

GENERAL	1	Manufacturer		Hyster		
	2	Model Designation		J40XN		
	3	Power		Electric		
	4	Operation		Sit		
	5	Rated Capacity	lb (kg)	4000 (1814)		
TIRES	6	Load Center	in (mm)	24 (610)		
	7	Tire Type - Cushion, Solid, Pneumatic, etc. (Drive / Steer)		Pneumatic Shaped Solid / Pneumatic Shaped Solid		
	8	Tire Size (Drive / Steer)	in	200 / 50-10 / 140 / 55-9		
	9	Wheels - Number X=Driven (Drive / Steer)		2X / 2		
	10	Tread Ctr. of Tires (Drive / Steer)	in (mm)	35.7 / 35.4 (908 / 898)		
DIMENSIONS	11	Mast Tilt	Std Opt Opt	degrees	5F / 5B 10F / 5B 5F / 4B	
	12	Mast - Lowered Height	Std Mast	in (mm)	78 (1980)	
		Free Lift - Top of Fork	Std 2 Stg Limited Free Lift Mast	in (mm)	5 (140)	
	13		Opt 2 Stg Full Free Lift Mast w/without LBR	in (mm)	29 / 55 (750 / 1405)	
	14	Lift Height - Top of Fork	Std 2 Stg Limited Free Lift Mast	in (mm)	119 (3032)	
	15	Mast - Extended Height	Std Mast with / without LBR	in (mm)	168 / 142 (4262 / 3606)	
	16	Overhead Guard Height	Std / Flat Plate / Drive in Rack	in (mm)	81.5 / 77.9 / 81.5 (2070 / 1979 / 2070)	
	17	SIP to Bottom Std OHG	Nominal Std / Susp / Swivel	in (mm)	38.5 / 37.5 / 37.4 (978 / 953 / 951)	
	18	Tow Pin Height	Vertical Center of Pin	in (mm)	14.1 (360)	
	19	Overall Width		in (mm)	43.9 (1116)	
	20	Forks	Thickness x Width x Length	in (mm)	1.6 x 3.9 x 42 (40 x 100 x 1067)	
	21	Standard Carriage Width		in (mm)	38.5 (977)	
	22	Floor to Top of Battery Rollers		in (mm)	7 (178)	
	23	Ground Clearance	Lowest Point (NL / RL)	in (mm)	2.8 / 2.8 (70 / 70)	
	24	Ground Clearance	Center of Truck (NL / RL)	in (mm)	3.9 / 3.9 (100 / 100)	
	25	Load Distance	Center of Wheel to Face of Forks	in (mm)	12.6 (321)	
	26	Battery Compartment	Height Std / Battery Rollers / Tall	in (mm)	23.9 / 25.4 / 26.7 (607 / 645 / 677)	
			Width	in (mm)	39 (990)	
			Length	in (mm)	25.3 (642)	
	27	Length to Face of Forks	Chassis Length	in (mm)	77.8 (1975)	
	28	Wheelbase		in (mm)	56.3 (1431)	
	29	Right Angle Stack††		in (mm)	129 (3276)	
	30	Equal Aisle	90° Intersecting Aisle	in (mm)	72.3 (1836)	
	31	Outside Turning Radius		in (mm)	65.1 (1654)	
	WT.	32	Truck Weight	Without Battery (NL)	lb (kg)	5310 (2409)
		33	Axle Loading - Drive	Static with Max. Wt. Battery (NL / RL)	lb (kg)	3839 / 10443 (1741 / 4737)
34		Axle Loading - Steer	Static with Max. Wt. Battery (NL / RL)	lb (kg)	3866 / 1262 (1754 / 572)	
PERFORMANCE †	35	Voltage			36 48	
	36	Travel Speed	Extended Shift OFF (NL / RL)	mph (km / h)	9.9 / 9.9 (16 / 16)	
			Extended Shift ON (NL / RL)	mph (km / h)	8.7 / 8.7 (14.0 / 14.0)	
	37	Lift Speed	Std 2 Stg LFL Mast (NL / RL)	ft / min (m / sec)	128 / 67 (0.65 / 0.34) 134 / 83 (0.68 / 0.42)	
			Opt 2 Stg FFL Mast (NL / RL)	ft / min (m / sec)	114 / 65 (0.58 / 0.33) 120 / 81 (0.61 / 0.41)	
			Opt 3 Stg FFL Mast (NL / RL)	ft / min (m / sec)	114 / 65 (0.58 / 0.33) 120 / 81 (0.61 / 0.41)	
			Opt 4 Stg FFL Mast (NL / RL)	ft / min (m / sec)	120 / 71 (0.61 / 0.36) 126 / 89 (0.64 / 0.45)	
	38	Lower Speed	Std 2 Stg LFL Mast (NL / RL)	ft / min (m / sec)	93 / 100 (0.47 / 0.51)	
			Opt 2 Stg FFL Mast (NL / RL)	ft / min (m / sec)	77 / 93 (0.39 / 0.47)	
			Opt 3 Stg FFL Mast (NL / RL)	ft / min (m / sec)	81 / 93 (0.41 / 0.47)	
			Opt 4 Stg FFL Mast (NL / RL)	ft / min (m / sec)	94 / 98 (0.48 / 0.50)	
	39	Gradeability	5 Minute Rating (NL / RL)	%	36.0 / 23.6 34.0 / 21.0	
		60 Minute Rating (NL / RL)	%	5.7 / 3.9 9.2 / 5.6		
40	Drawbar Pull	5 Minute Rating (NL / RL)	lbf	2719 / 2712 (12093 / 12062) 2479 / 2409 (11027 / 10716)		
		60 Minute Rating (NL / RL)	lbf	457 / 460 (2034 / 2044) 733 / 663 (3261 / 2949)		
41	Brake	Method of Control (Service / Parking)		Hydraulic / Mechanical		
		Method of Operation (Service / Parking)		Foot / Automatic		
ELECTRIC	42	Battery	Type		Lead Acid	
	43	Traction Motors (Dual)	60 Minute Rating (Each)	hp (kW)	6.4 (4.8) 6.7 (5.0)	
	44	Pump Motor	15 Minute Rating	hp (kW)	16.1 (12.0)	
	45	Traction Motors	Type / Control Method		AC / Transistor	
	46	Pump Motor	Type / Control Method		AC / Transistor	
47	Number of Speeds	Traction / Pump		Infinitely Variable / Infinitely Variable		
OTHER	48	Step Height		in (mm)	19.1 (484)	
	49	Floor Height	Lowest Point	in (mm)	22.0 (560)	
	50	Attachment Relief Pressure (Mech Levers / Mini-levers)		psi (bar)	2600 / 2250 (180 / 155)	
	51	Auxiliary Oil Flow	3rd and 4th Function	gal / min (l / min)	5.3 / 10.6 (20 / 40)	
	52	Sound Level	Measured per ANSI B56.11.5		dB (A)	69

† Performance specifications / ratings are for truck equipped as described under Standard Equipment in this Technical Guide. Performance specifications are affected by the condition of the vehicle and how it is equipped, as well as by the nature and condition of the operating area. Specifications are subject to change and the proposed application should be discussed with your authorized Hyster Company Dealer.

†† The Industrial Truck Association (ITA) defines the formula for calculating Right Angle Stack on 3-wheel trucks with counter rotating load wheels as:
 $Right\ Angle\ Stack = OTR + \sqrt{(Load\ Distance + Load\ Length)^2 + (\frac{Load\ Width}{2})^2}$ (For a 40" wide by 48" long pallet load.) Hyster uses this ITA formula to calculate Right Angle Stack on our 3 and 4 wheel trucks with a zero turn steer axle and counter rotating load wheels. Some documentation incorrectly calculates Right Angle Stack on a 3-wheel zero-turn truck with counter rotating load wheels using the following formula: $Right\ Angle\ Stack = OTR + Load\ Distance + Load\ Length$. This formula generates a value which is invalid and lower than actual Right Angle Stack. When making comparisons, be sure the correct ITA formula is used to calculate Right Angle Stack.

▶ MAST DIMENSIONS / BATTERY SPECIFICATIONS

J30-40XNT / XN MAST DIMENSIONS					
Maximum Fork Height (TOF) †	Overall Lowered Height	Overall Extended Height		Free Lift (TOF)	
		w/ Load Backrest	w/o Load Backrest	w/ Load Backrest	w/o Load Backrest
in (mm)	in (mm)	in (mm)	in (mm)	in (mm)	in (mm)
2-STAGE LIMITED FREE LIFT (LFL) MAST					
119 (3032)	78 (1980)	168 (4262)	142 (3606)	5 (140)	5 (140)
127 (3232)	82 (2080)	176 (4462)	150 (3806)	5 (140)	5 (140)
2-STAGE FULL FREE LIFT (FFL) MAST					
118 (3018)	78 (1980)	168 (4262)	143 (3613)	29 (750)	55 (1405)
126 (3218)	82 (2080)	176 (4462)	151 (3813)	33 (850)	59 (1505)
138 (3518)*	88 (2230)*	188 (4768)*	162 (4113)*	39 (1000)*	65 (1655)*
3-STAGE FULL FREE LIFT (FFL) MAST					
175 (4450)	78 (1980)	224 (5025)	198 (5025)	29 (750)	55 (1405)
187 (4750)	82 (2080)	236 (5325)	210 (5325)	33 (850)	59 (1505)
192 (4900)	84 (2130)	238 (5375)	212 (5375)	35 (900)	61 (1555)
198 (5050)	88 (2230)	248 (5625)	222 (5625)	39 (1000)	65 (1655)
216 (5500)	94 (2380)	265 (6075)	240 (6075)	45 (1150)	71 (1805)
4-STAGE FULL FREE LIFT (FFL) MAST					
241 (6121)	84 (2121)	291 (7380)	265 (6721)	34 (873)	59 (1511)
259 (6578)	90 (2273)	309 (7837)	283 (7179)	40 (1025)	65 (1663)

BATTERY AND COMPARTMENT SPECIFICATIONS														
J30XNT / XN WITH 21.5" LONG COMPARTMENT														
Battery Compartment Dimensions				Battery Dimensions and Specifications										
Compartment Type	Width	Length	Height	"X"		"Y"		"Z"	Volts	No. of Cells	Plates per Cell	Max Capacity 6 Hour Rate amp hr (kwh)	Weight	
				Min	Max	Min	Max	Max					Min	Max
in (mm)				in (mm)						lb (kg)				
With Auxiliary CTWT Platform	39 (990)	21.5 (546)	23.9 (607)	38.2 (970)	38.8 (986)	20 (508)	21.2 (539)	23.4 (594)	36	18	17	880 (30.6)	1700 (771)	2200 (998)
									48	24	13	660 (30.5)		
With Battery Rollers	39 (990)	21.5 (546)	25.4 (645)	38.2 (970)	38.8 (986)	20 (508)	21.2 (539)	24.9 (632)	36	18	17	880 (30.6)	1700 (771)	2200 (998)
									48	24	13	660 (30.5)		
W/O Auxiliary CTWT Platform	39 (990)	21.5 (546)	26.7 (677)	38.2 (970)	38.8 (986)	20 (508)	21.2 (539)	26.1 (664)	36	18	17	880 (30.6)	2000 (907)	2500 (1134)
									48	24	13	660 (30.5)		
J35-40XNT / XN WITH 25.3" LONG COMPARTMENT														
Battery Compartment Dimensions				Battery Dimensions and Specifications										
Compartment Type	Width	Length	Height	"X"		"Y"		"Z"	Volts	No. of Cells	Plates per Cell	Max Capacity 6 Hour Rate amp hr (kwh)	Weight	
				Min	Max	Min	Max	Max					Min	Max
in (mm)				in (mm)						lb (kg)				
With Auxiliary CTWT Platform	39 (990)	25.3 (642)	23.9 (607)	38.2 (970)	38.8 (986)	23.5 (597)	25 (635)	23.4 (594)	36	18	21	1100 (38.2)	2100 (953)	2400 (1089)
									48	24	15	770 (35.8)		
With Battery Rollers	39 (990)	25.3 (642)	25.4 (645)	38.2 (970)	38.8 (986)	23.5 (597)	25 (635)	24.9 (632)	36	18	21	1100 (38.2)	2100 (953)	2400 (1089)
									48	24	15	770 (35.8)		
W/O Auxiliary CTWT Platform	39 (990)	25.3 (642)	26.7 (677)	38.2 (970)	38.8 (986)	23.5 (597)	25 (635)	26.1 (664)	36	18	21	1100 (38.2)	2500 (1134)	2800 (1270)
									48	24	15	770 (35.8)		

Battery Type: "EO" (Without Cover)
 Battery amp hr (kwh) capacity is max allowable per UL.
 Commercially available lead acid batteries may not necessarily reach these max limits.
 Battery Compartment Length is measured front to rear.
 Battery Compartment Width is measured across the truck.

Battery Notes – Conventional Charging (Opt G26201)
 Battery Connector:
 36 volt - Gray SB®350 (Anderson Power Products® P/N 6320G1 or equivalent)
 48 volt - Blue SB®350 (Anderson Power Products® P/N 6321G1 or equivalent)
 Battery Lead: Length 20" (508 mm), Position "B", 2/0 AWG

Battery Notes – Rapid / Fast Charging (Opt G26202)
 NOTE: A Site Survey is required to confirm your application is a candidate for Rapid Charge and to determine the Battery and Charger specifications required. Contact your Battery and Charger Supplier.
 Battery Connector: Requires Dual Positive / Negative Cabling terminating in (2) Female EBC-320 DIN Connectors (Anderson Power Products® P/N A32503-0009 or equivalent).
 Each individual DIN connector to include 1 Red Conductor to (+) and 1 black conductor to (-).
 (XNT) Battery Lead: Length 23" (585 mm), Position "B", Minimum Cable Size 3/0 AWG
 (XN) Battery Lead: Length 26" (660 mm), Position "B", Minimum Cable Size 3/0 AWG

STANDARD EQUIPMENT

- 2-stage limited free lift (LFL) mast with max fork height of 119"
- 5° forward / 5° back mast tilt
- 38.5" wide Class II carriage with 48" high load backrest extension
- 42" (1067mm) long forks
- Pneumatic-shaped solid drive tire and steer tire
- Battery compartment size
 - 21.5" (J30XNT/XN)
 - 25.3" (J35-40XNT/XN)
- Lift out battery extraction
- 350 amp / gray connector
- 36-volt electrical system
- Standard construction
- UL Classification Type "E"
- Key switch start
- 81.5" grid style overhead guard
- MONOTROL® foot direction control
- 3-function hydraulic control valve with seatside mechanical levers
- 12" steering wheel with integral spinner knob and tilt column
- Vinyl non-suspension seat
- Black, non-cinch seat belt with Emergency Locking Retractor (ELR)
- Hydrostatic steer system
- AC traction and pump motors (completely brushless)
- Transistor drive and pump control
- Advanced VSM (Vehicle System Manager)
- Dual drive motors
- Wet disc brakes
- Automatic park brake
- Power assist braking
- On-demand hydrostatic power-assist steering
- Fully integrated CANbus communication
- Progressive Thermal Management System
- Auto Deceleration System (ADS)
- Regenerative braking
- Multifunction display
 - Battery state of charge with low battery lift interrupt
 - Hour meter
 - Performance mode indicator
 - Fault indicator
 - 4 operator selectable, programmable performance modes
- Easy ingress / egress with low step height and contoured handhold
- Operator convenience station
- Adjustable tilt steering column with low profile cowl
- Operator Presence System (OPS)
- Cushioned floormat
- Static strap
- Tow pin
- Seatside power disconnect button
- Battery side covers
- On-board software
 - Program, test & diagnose
 - Password protected
- Electronic horn with integral relay (long life / no adjustments)
- Operating manual
- 12 month / 2,000 hour full truck warranty
- 24 month / 4,000 hour powertrain warranty


OPTIONAL EQUIPMENT

- Side extraction battery removal with rollers
- 48-volt electrical system
- Rapid / fast charge
- Application / environmental construction
 - Cooler / freezer package:
 - operating temperatures: 0° F to +120° F
 - SUBZERO freezer package:
 - operating temperatures: -40° F to +120° F
- UL Classification Type "EE"
- 4-function hydraulic control valve
- TouchPoint hydraulic mini-levers
- Available with 2-stage limited free lift (LFL) and 2, 3 or 4-stage full free lift (FFL) masts
- Carriage with integral sideshift
- Carriage with integral sideshifting fork positioner
- Mast tilt option – 10° forward / 5° back
- Mast tilt option – 5° forward / 4° back
- Return to set tilt
- Hydraulic attachment extension tubes with or without quick disconnect fittings
- Non-suspension cloth seat
- Full-suspension seat (vinyl or cloth)
- Full-suspension swivel seat (vinyl or cloth)
- 77.9" flat plate overhead guard
- 81.5" drive-in rack grid style overhead guard
- Keyless start (with auxiliary key switch)
- Seatside directional control
- Telescopic steering column with tilt memory
- LED and halogen work light packages
- LED dome / reading light
- Basic and premium LED brake / tail / back-up light packages
- Key switch controlled lights
- Audible alarm – reverse operation (manually adjustable to 87, 97 or 102 dB)
- Visible amber strobe light – continuous activated, overhead guard mounted
- Rubber cushion smooth tread drive tire and steer tire
- Rear drive handle with horn button
- Mirrors – dual rear view – LH & RH OHG side mounted
- Mirror – single panoramic – OHG mounted
- Fire extinguisher – 2.5 lb dry chemical
- Load weight indicator
- Impact monitor
- Operator password start interlock
- Operator daily checklist
- System monitor – hydraulic low fluid level indicator and hydraulic filter service indicator
- Programmable maintenance reminder
- Synchronous steering
- Red, high-visibility, non-cinch seat belt with or without start interlock
- Low mount display



Hyster Company
P.O. Box 7006
Greenville, North Carolina
27835-7006
Part No. J30-40XNT/XN/TG
9/2017 Litho in U.S.A.

Visit us online at www.hyster.com or call us at **1-800-HYSTER-1**.

Hyster, , and STRONG PARTNERS. TOUGH TRUCKS. and MONOTROL are registered trademarks in the United States and certain other jurisdictions. Hyster products are subject to change without notice.

Trucks may be shown with optional equipment. © 2017 Hyster Company. All rights reserved.

CERTIFICATION: Hyster lift trucks meet the design and construction requirements of B56.1-1969, per OSHA Section 1910.178(a) (2), and also comply with the B56.1 revision in effect at time of manufacture. Certification of compliance with the applicable ANSI standards appears on the lift truck.